

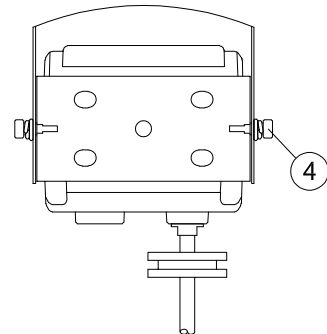
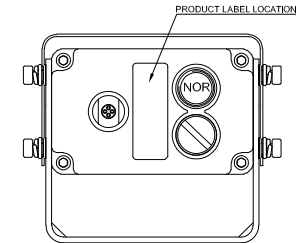
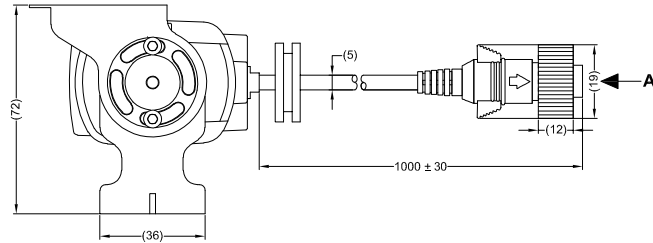
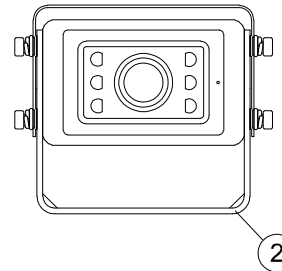
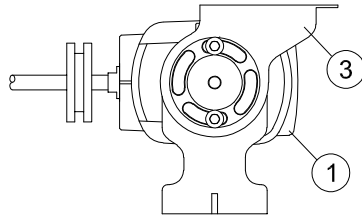
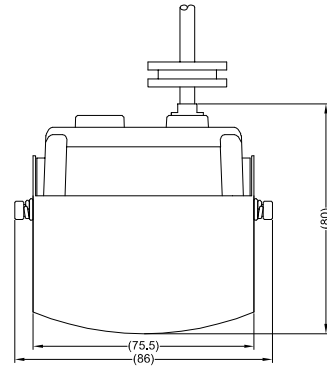
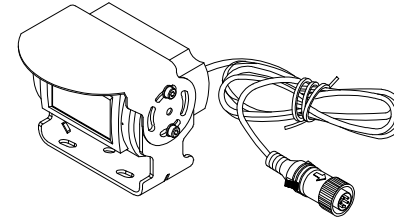
CHANGES FROM BASE PRODUCT BE-850C(4924A) TO BE-850C(78)(NPL) (5766)

- CHANGE:
1. BE-850C-C(4937A) REPLACED WITH BE-850C-C(78)(NPL) (5767).
  2. BE-850C-GB LBL REPLACED WITH BE-850C(78)(NPL)-GB LBL .
  3. BE-8XXC.BE-2XXC-IG (3247B) REPLACED WITH BE-850C(NPL)-IG (5770).

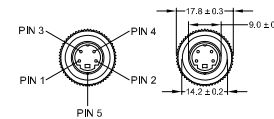
OPERATION: 1. SAME AS BASE PRODUCT

Revision Notes.				
R1 -				
APA: -	Drawn:-	Checked:-	Approved:-	Date: -

ITEM	PART NO	QTY	DESCRIPTION
①	(5650)	1	BE-850C-C(78)(NPL) CAMERA ONLY
②	(3244A)	1	BE-89XC/BE-X0XC-BKT CAMERA BRACKET
③	(3245)	1	BE-89XC/BE-X0XC-SS CAMERA SUNSHIELD
④	(3246)	1	BE-2XXC/8XXC-FIX CAMERA FIXING PACK (NOT SHOWN)
⑤	(5770)	1	BE-850C(78)(NPL)-IG INSTALLATION GUIDE (NOT SHOWN)



VIEW A



4 PIN MINI DIN MALE MATING FACE

PIN #	WIRE COLOUR	DESCRIPTION
1	YELLOW	VIDEO
2	RED	+12V
3	BLUE	N/C
4	WHITE	AUDIO
5	BLACK/SHIELD	GND

- NOTES:
1. REFER TO "PRODUCT SPECIFICATION" FOR MORE DETAILS.
  2. REFER TO COMPONENT DRAWINGS FOR COMPONENT DETAILS.
  3. ENSURE SELF AMALGAMATING TAPE IS USED DURING INSTALLATION.
  4. ANY CUSTOMER MODIFICATION OF THIS PRODUCT CAUSING SUBSEQUENT FAILURE IS NOT A LIABILITY OF BRIGADE ELECTRONICS PLC.
  5. FOR PRODUCT LABEL AND PACKAGING DETAILS REFER TO MASTER BOM.

PROPRIETARY NOTICE

THIS DESIGN AND TECHNICAL INFORMATION APPEARING ON THIS DRAWING IS THE PROPERTY OF BRIGADE ELECTRONICS, AND IS DISCLOSED IN CONFIDENCE. IT IS NOT TO BE COPIED, REPRODUCED, REVEALED TO OR EXPROPRIATED BY OTHERS, EITHER IN WHOLE OR IN PART WITHOUT THE EXPRESS WRITTEN CONSENT OF BRIGADE ELECTRONICS.

Customer Approval  
J.BARCK 26/04/19

Assembly Pl Approval T.CHOI 04/04/19	Approved by B.CHILDS	Checked by J.TYRRELL	Drawn by W.SINDEN
Angle of Projection 	Units mm	Scale N/A	Released 26/04/19
Status RELEASED	BE-850C(78)(NPL)		
Part No 5766	BE-004026-00-18		

**BRIGADE**  
www.brigade-electronics.com